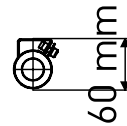
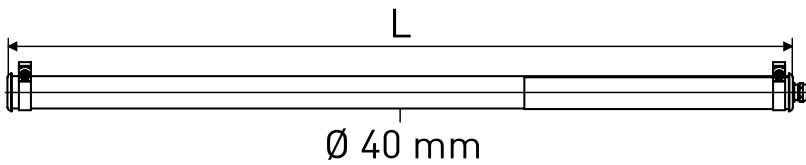
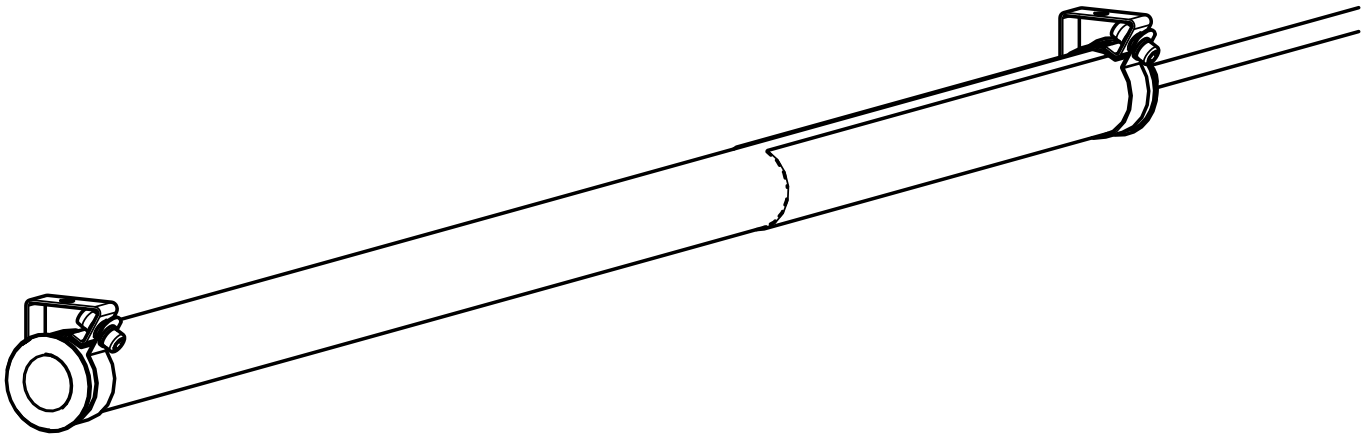





Sammode
Studio

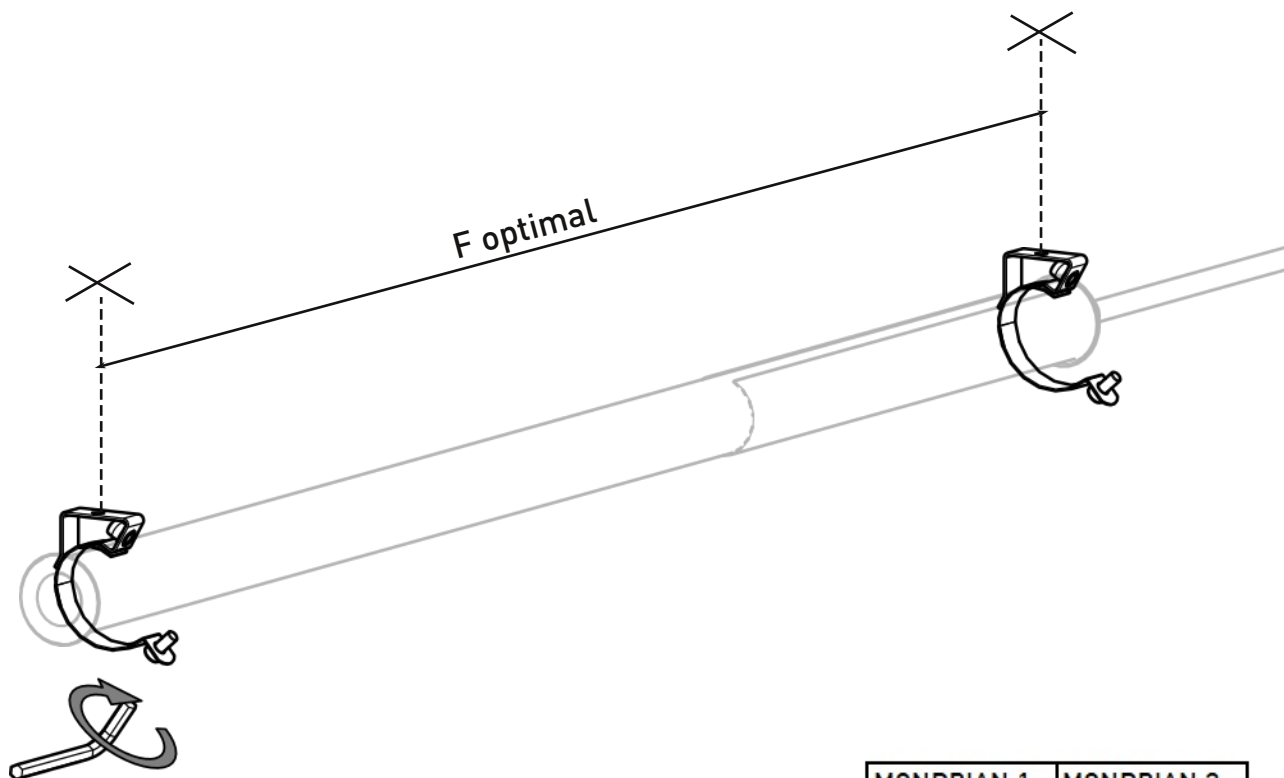
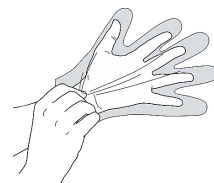
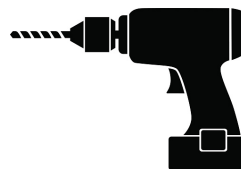
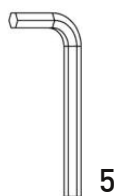
Mondrian



	MONDRIAN 1...	MONDRIAN 2...
LED	7 W	11 W
\longleftrightarrow L \rightarrow	1000 mm	1300 mm
	1,1 kg	1,3 kg

Montage

Mounting / Montage



	MONDRIAN 1...	MONDRIAN 2...
← F optimal →	973 mm	1273 mm

